

Machine  
guarding

EC Lock  
Hinged Door



**Kit 36905710**

Art. no: 88754700 ver. 01

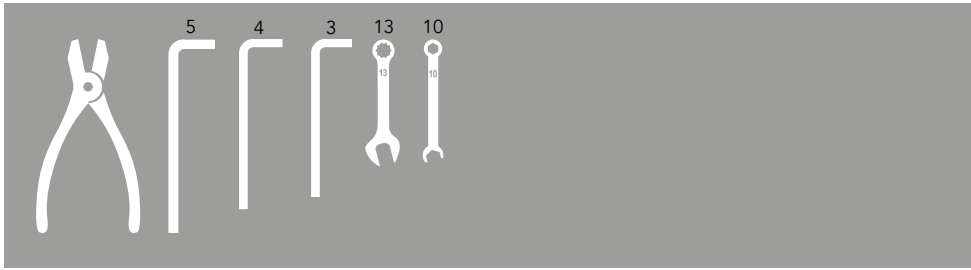
Print no: 201708-9100-EN

Art. no: 88754700 ver. 01

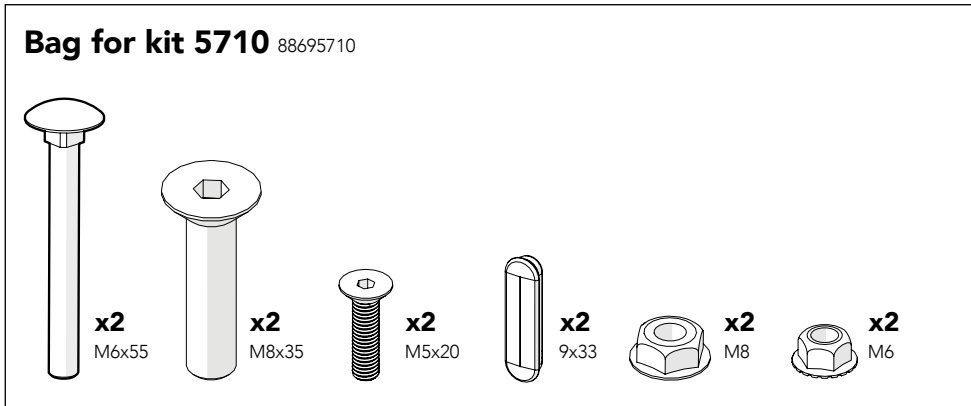
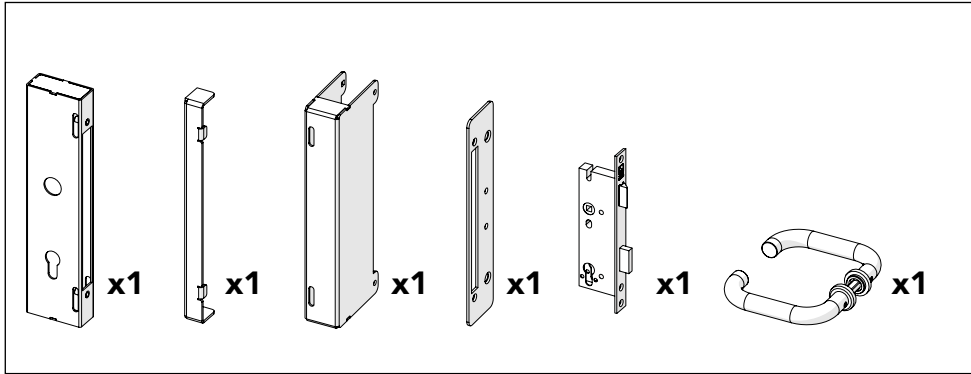
Follow me

[www.troax.com](http://www.troax.com)





## Kit EC Lock Hinged Door



Art no: 88754700 ver. 01

Art no: 88754700 ver. 01

