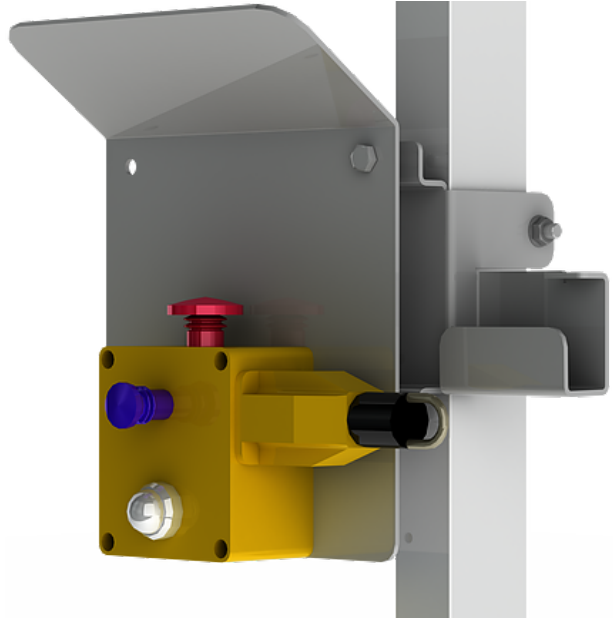


## E-STOP FIXING

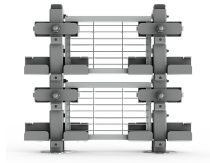
The Fixing plate for the emergency stop unit is designed to fit directly onto the belt conveyor fixings and the hole pattern on the bracket is designed to fit version ZB0071 72 73. The plate can be mounted onto any of the fixing variants, on the end fixing as well as on a straight bracket in the middle of a row. The holes in the brackets can also be used to put the hooks to hold the emergency stop rope, which can be put between the the two panels in the installation. The E-Stop Fixing plate is hot dip galvanized, providing good corrosion protection suitable for very harsh environments.



## FACTS

ART. NO	COMPONENTS
36909403	Kit 9403 Rope E-stop ZB0071 72 73

## COMBINE WITH



PANEL FIXINGS

---

# IMAGES

